

3900LP Bench Series

Calibrated with SBI 110 LCD Indicator



The 3900LP Electronic Bench Base is an NTEP approved 5000 division bench base scale with a pole mounted indicator that can be used for a wide range of general purpose floor or bench base applications.

General weighing function is designed to weigh in lb, kg or pieces. The 3900LP can easily be set into sample mode which is ideal for counting a wide range of medium sized components.

The check weighing & check counting function is ideal for guaranteeing product or box quantities are within an agreed weight or count size and for repetitive packing applications.

With 150% overload protection, these powder coated base frames are constructed using a carbon steel tubular fabricated frame with four corner stops for extra load cell protection. The base frame is fitted with four large lockable adjustable anti-slip feet ideal for leveling the base if positioned on uneven ground.

The base is fitted with a robust, approved, aluminum IP65 (NEMA 4) load cell and is fully covered with a removable hard-wearing, food grade 304 stainless steel top pan.

The ABS housed Brecknell SBI 110 Indicator with its large, easy-to-read 2" x 6.5" LCD backlit display. The built-in battery allows this product to be used in low lit areas or in areas where power outlets are hard to find.



Accuracy

NTEP approved for 5000d, Class III



Capacity

100 lb x 0.02 lb / 45 kg x 0.01 kg
250 lb x 0.05 lb / 113 kg x 0.02 kg
600 lb x 0.2 lb / 272 kg x 0.1 kg



Power

12V 1A power adapter with built-in rechargeable battery



Display

Large 2" x 6.5" / 50 mm x 165 mm easy-to-read blue backlit display with 1.6" / 40 mm high digits



Construction

Carbon steel fabricated frame with food grade 304 stainless steel top pan and NTEP approved, ABS housed indicator



Operator Keys

Units, Select, Print, Zero, Tare

3900LP Bench Series Calibrated with SBI 110 LCD Indicator

Specifications

Capacity and Dimension:

Capacity	Dimension (in)	Dimension (cm)
100 lb x 0.02 lb / 45 kg x 0.01 kg	15.7 x 15.7 x 5.3	40 x 40 x 12
250 lb x 0.05 lb / 113 kg x 0.02 kg	15.7 x 19.7 x 5.7	40 x 50 x 15
600 lb x 0.2 lb / 272 kg x 0.1 kg	19.7 x 23.6 x 5.7	50 x 60 x 15

Unit: lb, lb/oz, kg, g, pcs

General/Hold Weighing: The 3900LP can easily be set into general or animal (hold) weighing mode. Ideal for a wide range of weighing applications.

Check Weighing & Check Counting: Ideal for guaranteeing product or box quantities are within an agreed weight or count size and for repetitive packing applications

Base Construction: 150% overload protection, these powder coated base frames are constructed using a carbon steel tubular fabricated frame with four corner stops for extra load cell protection. The base frame is fitted with four large lockable adjustable anti-slip feet ideal for leveling the base if positioned on uneven ground.

Load Cell: This base is fitted with a robust, approved, aluminum IP65 (NEMA 4) load cell

Top Pan: The base is fully covered with a removable hard-wearing, food grade 304 stainless steel top pan

Indicator Construction: The ABS housed Brecknell SBI 110 Indicator with its large, easy-to-read 2" x 6.5" LCD back lit display and built-in battery allows this product to be used in low lit areas or in areas where power outlets are hard to find.

Power: Removable 12V 1A power adapter (included) along with a built-in, rechargeable lead acid battery to give over 107 hours of battery life between charges

Operating Temperature:
14° F to 104° F / -10° C to 40° C

Pole Dimension: 25.5" / 650 mm high

Packaging Dimension (L x W x H):

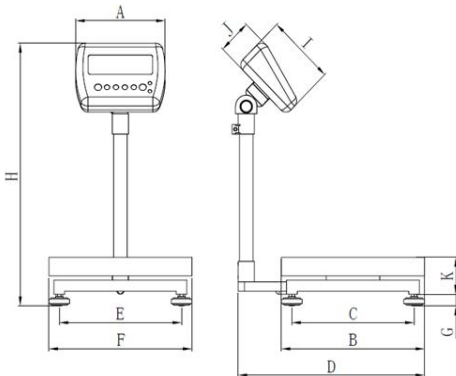
Capacity	Dimension (in)	Dimension (cm)
100 lb / 45 kg	31.3 x 20.7 x 6.5	76.5 x 52.5 x 16.5
250 lb / 113 kg	35.2 x 20.7 x 6.5	89.5 x 52.5 x 16.5
600 lb / 272 kg	38.7 x 24.6 x 7.2	98.5 x 62.5 x 18.5

Shipping Weight:

100 lb / 45 kg:	28.7 lb / 13 kg
250 lb / 113 kg:	32 lb / 14.5 kg
600 lb / 272 kg:	58.3 lb / 26.5 kg

Certifications: Indicator 5000d NTEP CC #18-125, base 5000d NTEP CC #18-124, FCC, CEC, Prop 65, UL power adapter

Capacity	A (in/mm)	B (in/mm)	C (in/mm)	D (in/mm)	E (in/mm)	F (in/mm)	G (in/mm)	H (in/mm)	I (in/mm)	J (in/mm)	K (in/mm)
100lb/45kg	9.82 / 250	15.7 / 400	13.46 / 342	20.5 / 521	13.46 / 342	15.7 / 400	1.26 / 32	35.55 / 903	7.48 / 190	3.93 / 100	3.9 / 99
250lb/113kg	9.82 / 250	19.7 / 500	17.40 / 442	24.5 / 621	13.46 / 342	15.7 / 400	1.26 / 32	35.55 / 903	7.48 / 190	3.93 / 100	3.9 / 99
600lb/272kg	9.82 / 250	23.6 / 600	21.33 / 542	28.4 / 721	17.40 / 442	19.7 / 500	1.26 / 32	35.55 / 903	7.48 / 190	3.93 / 100	4.9 / 124



Brecknell®

brecknellscales.com

brecknellscales.co.uk

Part of Avery Weigh-Tronix

Brecknell is part of Avery Weigh-Tronix. Avery Weigh-Tronix is a trademark of Illinois Tool Works group of companies whose ultimate parent company is Illinois Tool Works Inc ("Illinois Tool Works"). Copyright © 2023 Illinois Tool Works. All rights reserved. This publication is issued to provide outline information only and may not be regarded as a representation relating to the products or services concerned. This publication was correct at the time of going to print, however Avery Weigh-Tronix reserves the right to alter without notice the specification, design, price or conditions of supply of any product or service at any time.

3900LPSystem_L_501851.indd
V3 AWT35-501851