

 Brecknell



VALUE IN WEIGHING

January 2024
UK & Export
PRODUCT GUIDE



CONTACT INFORMATION

Brecknell UK
Foundry Lane
Smethwick, West Midlands,
England B66 2LP
Telephone: + 44 (0) 845 246 6717
Email: sales@brecknellscales.co.uk
www.brecknellscales.co.uk



COMPANY HISTORY

Brecknell has grown over the last century to become a global leader in weighing solutions.

Charles W Brecknell and Co was founded in 1913 in Birmingham, England and was the first firm to manufacture visible weighers for the wholesale industry. The company continued to expand into the 1920s and was purchased by W & T Avery Limited in 1926.

The Salter brand has also played a part in Brecknell's history. Products were sold under the name Salter Brecknell for several years when Avery Scales and Weigh-Tronix merged to form Avery Weigh-Tronix in 2003.

Today, the Brecknell brand is part of Avery Weigh-Tronix, a world leading manufacturer of industrial scales, weighing equipment and measurement devices. With a long history dating back to the 1700s, Avery Weigh-Tronix is headquartered in Birmingham, England and has manufacturing facilities in the UK, USA, China and India.

Brecknell scales are designed and manufactured with focus on high-value, easy-to-use and accurate weighing solutions for the majority of industries worldwide, from industrial weighing equipment to office scales. Our global presence ensures the highest quality service and support to our customers.





APPLICATION CHART

	NSF APPROVED	OIML APPROVED	ANIMAL WEIGHING	BABY WEIGHING	COIN COUNTING	DIETARY	EDUCATION	INDUSTRIAL	INVENTORY/COUNTING	KITCHEN/CATERING	OFFICE/MAILING/SHIPPING	PLATFORM SCALE	POINT OF SALE	PORTION CONTROL	PRICE COMPUTING	SPORTS	VETERINARY	PAGE(S)
311	•					•	•			•	•			•				27
6030						•	•			•				•				26
67XXU	•	•				•		•		•			•	•				24-25
B140	•				•			•	•	•				•				10
BCS								•										11
C3236								•		•				•				8
CC-804					•													9
DS1000-LCD								•				•						19
DCSB Systems								•			•	•						23
ElectroSamson			•	•				•								•	•	18
EPB						•	•		•	•				•				6
GP100/GP250 USB								•			•							29
MBS						•	•		•	•				•				7
Model 235-6M				•		•		•		•						•	•	15
Model 235-6S				•		•		•		•						•	•	14
Model 235-10S				•		•		•		•						•	•	16
Model 235-10X				•		•		•		•						•	•	17
Model 405-LCD	•									•	•			•				12
PS Slimline Series								•		•	•							28
PS1000/PS2000			•					•	•	•	•						•	21
PS3000-LCD			•					•				•					•	22
SuperSamson			•	•			•	•								•	•	13
WS300								•	•	•	•	•		•			•	20
WS Series								•	•	•	•	•		•				31
ZM110 + BSL Base		•						•	•	•	•	•						30



PRODUCT INDEX

Balance

EPB	6
MBS Series	7

Check Weighing

C3236	8
-------	---

Coin Counter

CC-804	9
--------	---

Counting/Coin Scale

B140	10
------	----

Crane Scales

BCS	11
-----	----

Electric Bench Scales

Model 405-LCD	12
---------------	----

Hanging Scales

SuperSamson	13
Model 235-6S	14
Model 235-6M	15
Model 235-10S	16
Model 235-10X	17
ElectroSamson	18

Platform Scales

DS1000-LCD	19
WS300	20
PS1000 / PS2000	21
PS3000-LCD	22
DCSB Systems	23

Point of Sale

67XXU Series	24-25
--------------	-------

Portion Control

6030	26
------	----

Postal/Shipping

311	27
PS Slimline Series	28
GP100 / GP250 USB	29
ZM110 + BSL Base	30
WS Series	31



EPB

Features



- **Accuracy**– Within $\pm 0.04\%$
- **Capacity**– 500 g x 0.01 g, 3000 g x 0.1 g
- **Construction**– ABS case with stainless steel weighing platter and plastic protective cover
- **Power**– Two AAA batteries (included)
- **Display**– 14 mm / $\frac{9}{16}$ " high seven segment LCD with blue backlight.
- **Operator Keys**– On/Off, Function Mode, Tare, Count



Specifications

Unit: g, kg, lb, oz, tl, ct, PCS

Functions: Weight mode, tare, counting, calibration

Annunciators: Overload and low battery indicator

Auto-off: Shuts off after 60 seconds to help enhance battery life

Calibration: Three point

Tare: 100% push button

Operating Temperature: 10° C to 30° C / 50° F to 86° F

Scale Dimension (L x W x H):
140 mm x 107 mm x 20 mm / 5.5" x 4" x 0.8"

Platform Dimension (L x W):
100 mm x 100 mm / 4" x 4"

Certifications: UKCA, CE, FCC compliant, Prop 65, RoHS 3, WEEE

Part Number	Capacity	Ship Weight
816965007097	500 g x 0.01 g	120 g
816965007103	3000 g x 0.1 g	120 g



APPLICATIONS

EDUCATION
HOSPITALS

INDUSTRIAL
LABORATORIES

Balance

MBS Series

Features

- **Accuracy**– Within $\pm 0.004\%$
- **Capacity**– 300 g x 0.005 g, 600 g x 0.01 g, 1200 g x 0.02 g, 3000 g x 0.05 g, 6000 g x 0.1 g
- **Construction**– Robust plastic housing, stainless steel top plate
- **Power**– 300-600 g units use six AA batteries (included) 1200-6000 g units use eight AA batteries (included)
- **Display**– Large, clear 6½ digits, 19 mm / 0.75" high seven segment white backlit LCD
- **Operator Keys**– On/Off, Count, Cal, Tare, Mode, Unit



1200 g, 3000 g and 6000 g

300 g and 600 g
Shown with draft shield

Specifications

Unit: g, lb, oz, ozt, dwt, ct, % pc

Auto-off Indicator

Low Battery Indicator

RS-232: Bi-directional

Battery Life: Approximately 15 hours

Operating Temperature: 10° C to 35° C / 50° F to 95° F

Platform Dimension (L x W x H):

300 g and 600 g capacities:
120 mm / 4.65" diameter x 9.5 mm / 0.4" H

1200 g to 6000 g capacities:
175 mm x 175 mm x 8 mm / 6.9" x 6.9" x 0.3"

Packaging Contents: 300 and 600 g has weight, draft shield, manual, batteries and scale; 3000 and 6000 g has batteries, manual and scale; 1200 g has weight, batteries, manual and scale

Certifications: UKCA, CE, FCC compliant, Prop 65, RoHS 3, WEEE

Part Number	Capacity	Ship Weight
816965004881	300 g x 0.005 g	1.8 kg
816965004898	600 g x 0.01 g	1.8 kg
816965004904	1200 g x 0.02 g	2.2 kg
816965004911	3000 g x 0.05 g	2.2 kg
816965004928	6000 g x 0.1 g	2.2 kg



Balance



C3236

Features

IP68 UK CA CE

- **Accuracy**– Within $\pm 0.02\%$
- **Capacity**–
3 kg x 0.0002 kg / 6 lb x 0.0005 lb
7 kg x 0.0005 kg / 15 lb x 0.001 lb
15 kg x 0.001 kg / 30 lb x 0.002 lb
- **Construction**– Food grade 304 stainless steel housing and top pan and IP68 (NEMA4X)
- **Power**– Built-in rechargeable battery or 12 VDC 1A adapter (included)
- **Display**– Large 30 mm x 90 mm / 1.2" x 3.5" red LED display with five 15 mm / 0.6" high digits
- **Operator Keys**– On/Zero/Tare, Function, Unit, Off



Specifications

Unit: kg, g, lb, lb/oz

Main Functionality: General weighing and check weighing with audio low, ok and high buzzer

Battery Life: Up to 62 hours

Operating Temperature:
-10° C to 40° C / 14° F to 104° F

Scale Dimension (L x W x H):
330 mm x 290 mm x 110 mm / 13" x 11.4" x 4.3"

Platform Dimension (L x W):
190 mm x 255 mm / 7.5" x 10"

Product Weight: 4.5 kg / 10.5 lb

Packaging Dimension:
365 mm x 335 mm x 145 mm / 14.4" x 13.2" x 5.7"

Certifications: UKCA, CE, CEC, FCC compliant, Prop 65, RoHS 3, UL/CUL power adapter, WEEE

Part Number	Capacity	Ship Weight
816965007165	3 kg x 0.0002 kg / 6 lb x 0.0005 lb	4.5 kg
816965007172	7 kg x 0.0005 kg / 15 lb x 0.001 lb	4.5 kg
816965007189	15 kg x 0.001 kg / 30 lb x 0.002 lb	4.5 kg



APPLICATIONS

COIN COUNTING

CC-804

Features

- **Accuracy:** Within $\pm 0.075\%$
- **Capacity:** 2000 g x 0.5 g
- **Power:** 9 VDC 600mA power adapter or four AA batteries (both included)
- **Display:** 15 mm / 0.6" high 5½ digits LCD



Specifications

Unit: kg, lb

Customised Coin Selection

Multiple Coin Types: Sterling and Euro standard or select one customised coin selection available

Coin Tray: ABS plastic

Auto Shut Off: Maximise battery life

Accumulation: Coin quantity, coin value and coin weight

Resolution: Up to 1/10,000 weighing and 1/50,000 counting

Operating Temperature: -10° C to 40° C / 14° F to 104° F

Scale Dimension (L x W x H):
215 mm x 153 mm x 45 mm / 8.46" x 6" x 1.77"

Platform Dimension (L x W x H):
150 mm x 150 mm / 5.9" x 5.9"

Coin Tray Dimension (L x W):
180 mm x 175 mm x / 7.09" x 6.89"

Packaging Dimension (L x W x H):
310 mm x 260 mm x 60 mm / 12" x 10" x 2"

Certifications: UKCA, CE, RoHS 3, WEEE

Part Number	Capacity	Ship Weight
816965005604	2000 g x 0.5 g	1 kg

Coin	Piece Weight (g)	Max Count (£/€)
1p	3.56	£5.62
2p	7.12	£5.62
5p	3.25	£30.75
10p	6.50	£30.80
20p	5.00	£80.00
50p	8.00	£125.00
£1 (new)	8.75	£228.00
£1 (current)	9.50	£211.00
£2	12.00	£334.00
1c	2.30	€8.69
5c	3.06	€13.05
10c	4.10	€48.80
20c	5.74	€69.60
50c	7.80	€128.00
€1	7.50	€266.00
€2	8.50	€470.00





B140

Features

- **Accuracy**– Within $\pm 0.01\%$
- **Capacity**–
6 kg x 0.2 g / 12 lb x 0.0005 lb
15 kg x 0.5 g / 30 lb x 0.01 lb
30 kg x 1 g / 60 lb x 0.002 lb
- **Construction**– Rugged ABS base, stainless steel weight platter
- **Power**– 12 VDC 0.5A adapter with rechargeable battery at 20 hours battery life between charges (both included)
- **Display**– Three six digit 14.2 mm / 0.56" high seven segment red LED with three brightness levels
- ***Currency Feature Added (30 kg / 60 lb only)**– US Dollars, GB Pounds and Euros with big and small bag selection



Specifications

Unit/*Currency: Units used to switch displayed weights between kg and lb. Currency used to switch between currency type (available in 30 kg/60 lb capacity only)

Minimum Piece Weight:

6 kg (0.05 g) 12 lb (0.0001 lb)
15 kg (0.1 g) 30 lb (0.0002 lb)
30 kg (0.2 g) 60 lb (0.0005 lb)

Power: Internal rechargeable battery giving 20 hours of use between charges. Recharge time approximately eight hours with 12 volt UK/EU/US power adapter with center positive (included).

Battery: 6V4A/Hr rechargeable lead-acid battery

Auto Off: Selectable between one and 30 minutes or off

Configurable RS-232

Configurable Scale ID

Average Working Current: < 300mA

Operator Keys: On/Off, clear, enter, zero, tare, total, kg/lb, piece weight, PLU, print, *currency, upper limit, lower limit and 0 – 9 for data entry

Annunciators: Zero, tare, AC mains connected, battery charging, stable, big bag, small bag, kg and lb

Keyboard Functionality: 0-9– Used for keyboard entry of piece weight, sample size, and upper and lower limit settings

Zero: Return displayed weight and count to zero for accurate weighing and counting. Zero range capability is 5% of scale capacity.

Enter/Pcwt: Enter used to confirm or save entered data from keyboard. Pcwt used for keyboard entry of a known average piece weight

Tare: Used to zero off (up to 100% of capacity) an empty container or weight, not required in the calculation of an average piece weight. Use of tare will reduce the scales maximum weight capacity by value stored

Total: Ability to add the display to an accumulator (Memory +) and only accumulate when there is a percentage of weight change

Clear/Hi/Lo: Clear to erase a keyed in value from the display if an error has been made. Hi/Lo is to set the upper and lower limits.

Upper: Used to set an upper limit quantity for count check

Lower: Used to set lower limit quantity for count check

On/Off: Used to turn off display for extended battery life or reset the scale to normal weighing mode

Print: Output to RS-232 communications

***Mode:** Toggle between counting functions

Operating Temperature: -10° C to 40° C / 14° F to 104° F

Scale Dimension (L x W x H):

393 mm x 292 mm x 109 mm / 13.1" x 11.5" x 4.3"

Platform Dimension (L x W x H):

222 mm x 292 mm x 13 mm / 8.75" x 11.5" x 0.5"

Packaging Dimension (L x W x H):

406 mm x 356 mm x 203 mm / 16" x 14" x 8"

Certifications: UKCA, CE, CEC, FCC compliant, Prop 65, RoHS 3, ETL power adapter, WEEE

Part Number	Capacity	Ship Weight
816965005758	6 kg x 0.2 g / 12 lb x 0.0005 lb	5 kg
816965005765	15 kg x 0.5 g / 30 lb x 0.001 lb	5 kg
816965005772	*30 kg x 1 g / 60 lb x 0.002 lb	5 kg

*30 kg / 60 lb capacity counting/coin scale

APPLICATIONS

GENERAL PURPOSE
INDUSTRIAL

WAREHOUSE

Crane Scales

BCS Series

Features

- **Accuracy**– ± 0.1% of full scale
- **Capacity**–
3000 kg x 1 kg / 6000 lb x 2 lb
5000 kg x 2 kg / 10,000 lb x 5 lb
- **Construction**– Aluminium-casting case, high intensity hook and shackle
- **Power**– 9 VDC power adapter, 1000mA with center positive and 6V/4.0Ah lead acid rechargeable battery (both included). Remote control operates on two AA batteries (included).
- **Display**– 35 mm / 1.4" ultra-bright LED
- **Operator Keys**– On/Off, Zero, Tare, Hold



Specifications

Unit: kg, lb

Elongated Upper Shackle: Accommodates thick hooks

Swivel Hook with Latch: Makes load connection easy and secure

Bright LED Display: Has three adjustable brightness levels for any environment

Accumulator Function: Calculates total weight

Factory Calibration: 39° latitude optimised

Typical Battery Life: Depending on LED brightness and idle mode setting, battery works from 60 hrs to 200 hrs

Charging Time: Approximately 12 hrs; red LED charging, green finished

Remote Functions: Zero, tare, hold, acc, del F1, F2, off, 2nd

Remote Distance: Minimum 10 m / 32'

Auto-Off Function: Can be set from 0 to 60 minutes

Tare Range: 100% full scale

Zero Range: 4% full scale

Stable Time: ≤10 sec

Overload: 100% F.S. + 9 divisions

Overload Indication: Internal counter at +9 divisions F.S.

Ultimate Safety Factor: 400% F.S.

Safety Load: 150% F.S. of capacity

Operating Temperature: -10° C to 40° C / 14° F to 104° F

Operating Humidity: 20° C ≤90%

Scale Dimension (L x W x H):
255 mm x 210 mm x 440 mm / 10" x 8" x 17"

Product Weight: 13 kg / 28.5 lb

Packaging Dimension (L x W x H):
600 mm x 270 mm x 310 mm / 2" x 10" x 12"

Accuracy Class: GB/T 11883-2002 Class III

Certifications: UKCA, CE, CEC, EC Machinery Directive, FCC compliant, Prop 65, RoHS 3, UL/CUL power adapter, WEEE

Part Number	Capacity	Ship Weight
816965006496	3000 kg x 1 kg / 6000 lb x 2 lb	13 kg
816965006502	5000 kg x 2 kg / 10,000 lb x 4 lb	13 kg





Model 405-LCD

Features

- **Accuracy**– Within $\pm 0.05\%$
- **Capacity**–
6 kg x 0.001 kg / 12 lb x 0.002 lb
15 kg x 0.002 kg / 30 lb x 0.005 lb
- **Construction**– ABS plastic housing with food safe 304 stainless steel weight platter
- **Power**– 9 VDC 600mA adapter with UK, EC, USA plugs or four AA batteries (not included)
- **Display**– 5½ digits seven segments 16.5 mm / 0.65" high digit LCD backlit
- **Operator Keys**– Tare/Unit, On/Off/Zero



Specifications

Unit: kg, g, lb, oz, lb/oz

Battery Life: 38 hours

Operating Temperature: 5° C to 35° C / 41° F to 95° F

Scale Dimension (L x W x H):
305 mm x 255 mm x 110 mm / 12" x 10" x 4.25"

Platform Dimension (L x W):
215 mm x 245 mm / 8.5" x 9.5"

Packaging Dimension (L x W x H):
385 mm x 305 mm x 180 mm / 15" x 12" x 7"

Certifications: UKCA, CE, CEC, FCC compliant, Prop 65, RoHS 3, ETL power adapter, WEEE

Part Number	Capacity	Ship Weight
810036380218	6 kg x 1 g / 12 lb x 0.002 lb	3 kg
810036380201	15 kg x 2 g / 30 lb x 0.005 lb	3 kg
810036380362	Plastic Cover; pkg of 5	





APPLICATIONS

ANGLING **INDUSTRIAL**
EDUCATION

Hanging Scales

SuperSamson
Features

- Simple to Use
- Tough and Accurate
- Portable
- Easy-to-Read
- Light Weight
- Reliable
- Proven Design



Specifications

Packaging Dimension (L x W x H):
 310 mm x 40 mm x 30 mm / 12" x 2" x 1"

Part Number	Capacity	Ship Weight
810036380393	5 kg x 25 g	0.16 kg
810036380409	25 kg x 100 g	0.16 kg



Hanging Scales



235-6S

Features

- Robust
- Accurate
- Reliable
- Portable
- Low Cost
- Easy-to-Read
- Corrosion Resistant
- 150 mm / 6" Diameter
- ABS plastic housing with shatterproof polycarbonate dial cover
- Fully weatherproof
- Low Friction Acetal Bearings
- Accurate to 1 part in 250 with up to 15% Zero Adjust
- Top and Bottom Hooks included



Specifications

Packaging Dimension (scale only) (L x W x H):
 210 mm x 200 mm x 80 mm / 8.2" x 7.8" x 3"

Packaging Dimensions (oblong pan) (L x W x H):
 212 mm x 286 mm x 20 mm / 8.3" x 7.8" x 0.7"

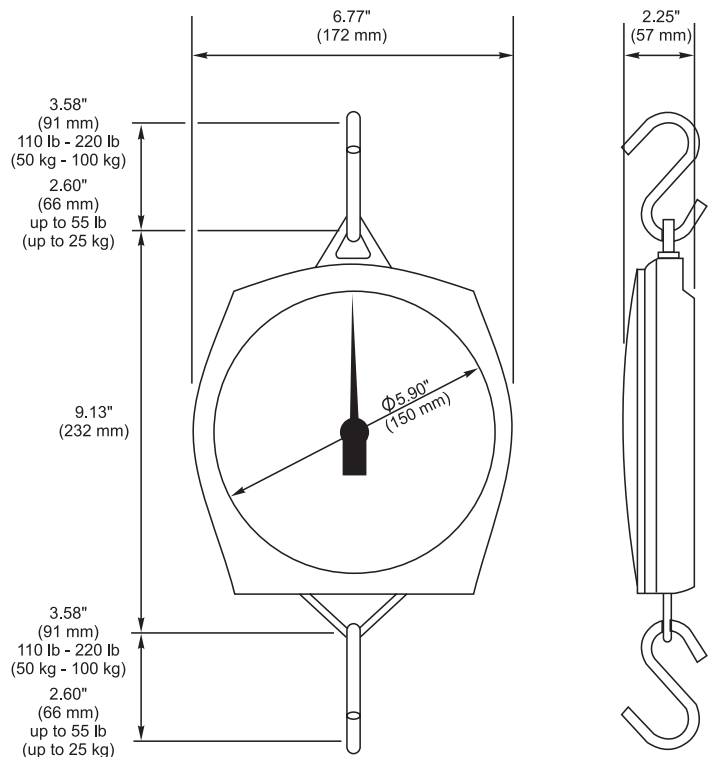
Part Number	Capacity	Ship Weight
810036380485	5 kg x 20 g	1 kg
810036380492	10 kg x 50 g	1 kg
810036380508	25 kg x 100 g	1 kg
810036380515	50 kg x 200 g	1 kg
810036380522	100 kg x 500 g	1 kg

Model 235-6S with Oblong Pan

Part Number	Capacity	Ship Weight
MSKN11108590000	5 kg x 20 g / 11 lb x 1 oz	1.4 kg

Accessories / Options

Part Number	Pan	Ship Weight
810036380553	Oblong pan	0.35 kg



APPLICATIONS

ANGLING
FOOD SERVICE

INDUSTRIAL
HEALTH CARE

Hanging Scales

235-6M

Features

- Robust
- Accurate
- Reliable
- Portable
- Low Cost
- Easy-to-Read
- Corrosion Resistant
- 150 mm / 6" Diameter
- Metal Case
- Accurate to 1 Part in 250 with up to 10% Zero Adjust
- Top and Bottom Hooks Included

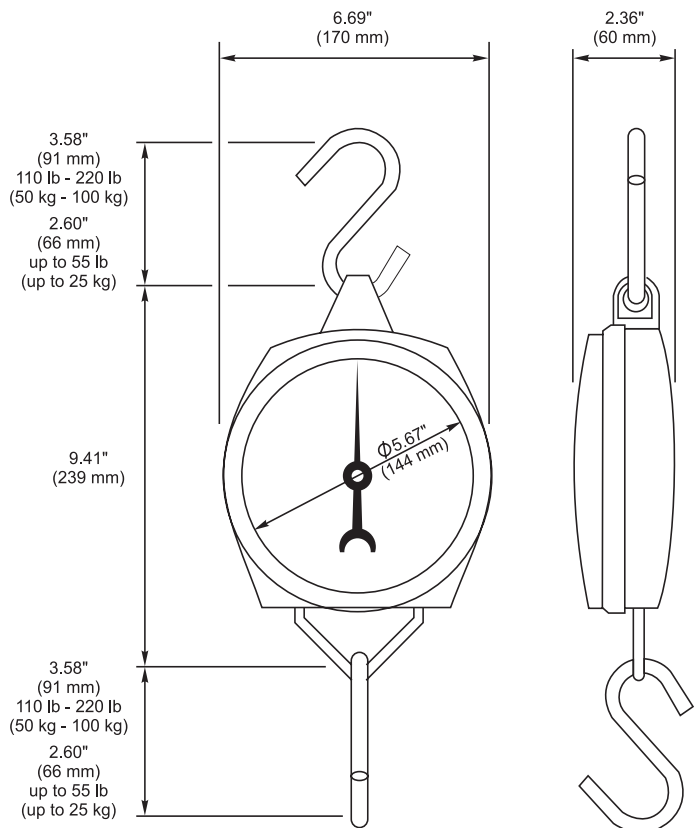


Specifications

Packaging Dimension (L x W x H):
210 mm x 200 mm x 80 mm / 8.2" x 7.8" x 3"

Part Number	Capacity	Ship Weight
810036380430	5 kg x 20 g	1.5 kg
810036380447	10 kg x 50 g	1.5 kg
810036380454	25 kg x 100 g	1.5 kg
810036380461	50 kg x 200 g	1.5 kg
810036380478	100 kg x 500 g	1.5 kg

Note: kg dial only.





APPLICATIONS

ANGLING
FOOD SERVICE

HEALTH CARE
INDUSTRIAL

235-10S

Features

- Robust
- Accurate
- Reliable
- Portable
- Low Cost
- Easy-to-Read
- Corrosion Resistant
- 240 mm / 9.44" Diameter
- ABS Plastic Housing with Shatterproof Polycarbonate Dial Cover
- Fully weatherproof
- Low Friction Bearings
- Accurate to 1 Part in 500 with up to 15% Zero Adjust
- Top and Bottom Hooks Included



Specifications

Packaging Dimension (scale only) (L x W x H):
375 mm x 285 mm x 80 mm / 15" x 11" x 3"

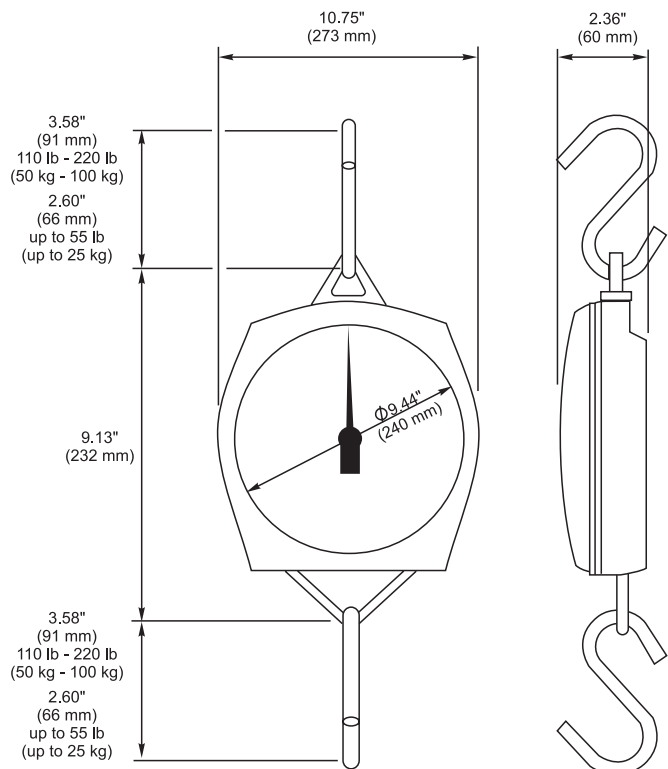
Part Number	Capacity	Ship Weight
810036380386	5 kg x 10 g	3 kg

Model 235-10S with Oblong Pan

Part Number	Capacity	Ship Weight
810036380379	5 kg x 10 g / 11 lb x 0.5 oz	3.4 kg

Accessories / Options

Part Number	Pan	Ship Weight
810036380553	Oblong pan	0.35 kg

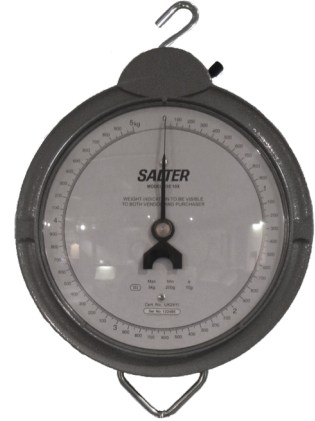


APPLICATIONS

ANGLING GENERAL PURPOSE
CHECK WEIGHING POULTRY WEIGHING

235-10X
Features

- Robust
- Accurate
- Reliable
- Portable
- Low Cost
- Easy-to-Read
- Corrosion Resistant
- 257 mm / 10.12" Diameter
- Robust Die Cast Casing
- Low Friction Bearings
- Accurate to 1 part in 500 with up to 10% zero adjust
- Top and Bottom Hooks included



Specifications

Product Dimension (L x W x H):
450 mm x 375 mm x 150 mm / 18" x 15" x 6"

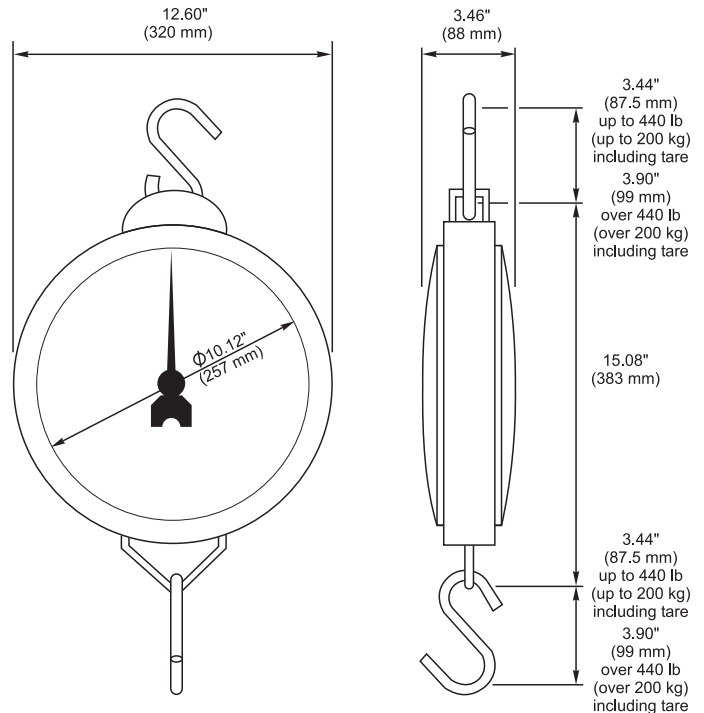
Part Number	Capacity	Ship Weight
810036380423	300 kg x 1 kg	5.5 kg

Model 235-10X with Oblong Pan

Part Number	Capacity	Ship Weight
816965006564	5 kg x 10 g / 11 lb x 0.5 oz	5.9 kg

Accessories / Options

Part Number	Pan/Hook	Ship Weight
810036380546	Swivel hook	0.12 kg
810036380553	Oblong pan	0.35 kg





APPLICATIONS

ANGLING
FOOD SERVICE

HEALTH CARE
INDUSTRIAL

ElectroSamson

Features

- **Accuracy**– Within $\pm 0.4\%$
- **Capacity**–
10 kg x 0.01 kg / 22 lb x 0.02 lb/¼ oz
25 kg x 0.02 kg / 55 lb x 0.05 lb/½ oz
45 kg x 0.05 kg / 99 lb x 0.1 lb/1 oz
- **Construction**– Tough ABS case
- **Power**– 9V alkaline battery (included)
- **Display**– 15 mm / 0.6" seven segment LCD
- **Operator Keys**– On/Zero, Off, Hold, Unit



Specifications

Unit: kg, lb, lb/oz

Handheld or Suspended

Easy to Operate

Easy Viewing: Angled display

Memory Tare Function: Retains tare during power off

Annunciators: Tare, hold

Battery Life: Over eight hours continuous

Operating Temperature: 0° C to +40° C / 32° to 104° F

Included: Strong two handed lift handle and a padded carrying pouch with adjustable waist strap

Scale Dimension (Hook to Hook) (L x W x H):
330 mm x 95 mm x 76 mm
13" x 3.75" x 2.25"

Product Weight: 0.8 kg / 1.7 lb

Packaging Dimension (L x W x H):
279 mm x 152 mm x 76 mm / 11" x 6" x 3"

Certifications: UKCA, CE, FCC, Prop 65 compliant, RoHS 3, WEEE

Part Number	Capacity	Ship Weight
816965007479	10 kg x 0.01 kg / 22 lb x 0.02 lb/¼ oz	0.75 kg
816965007486	25 kg x 0.02 kg / 55 lb x 0.05 lb/½ oz	0.75 kg
816965007493	45 kg x 0.05 kg / 99 lb x 1 oz/2 oz	0.75 kg



Padded carrying pouch with belt clip included

APPLICATIONS

LIGHT INDUSTRIAL
LIVESTOCK

SHIPPING
WAREHOUSE

Platform Scales

DS1000-LCD

Features

- **Accuracy**– Within $\pm 0.1\%$
- **Capacity**– 1000 lb x 0.5 lb / 500 kg x 0.2 kg
- **Construction**– Powder coated rugged smooth steel deck structure and built-in ramps, fitted with two handles and wheels for relocating the scale. Robust ABS plastic indicator with bench or pole brackets for mounting.
- **Power**–9V 600mA universal power supply with USA/UK/EU adapters (included) or six AA batteries (not included)
- **Display**– Six large, easy-to read 1.5" / 38 mm high digits, large seven segment LCD with white backlight
- **Operator Keys**– On/Off/Zero, Tare, Unit, Print, Hold, Accumulate/Total



Indicator Specifications

Unit: lb, kg, pcs, %

Tare: 100% subtractive

Check Weighing: Used when packing or filling to a set weight

Counting: Used for stock control or items within a box

Accumulation: Used to get the final consignment weight total

Hold: Captures and holds a stable weight on screen

Percentage: Used to carry out weightments on % basis

Communication: One USB (VCP) and one RS-232 bi-directional full duplex port. Optional COM cables

Print Format: Configurable

Indicator Mounting: Desk or pole mountable, either vertically or horizontally

Operating Temperature: -14° F to 104° F / -10° C to 40° C

Indicator Dimension (L x W x H):
9.5" x 4.9" x 2.5" / 241 mm x 125 mm x 64 mm

Packaging Dimension (L x W x H):
5" x 9" x 4.5" / 385 mm x 230 mm x 122 mm

Part Number	Capacity	Ship Weight
810036380270	500 kg x 0.2 kg / 1000 lb x 0.5 lb	84 kg

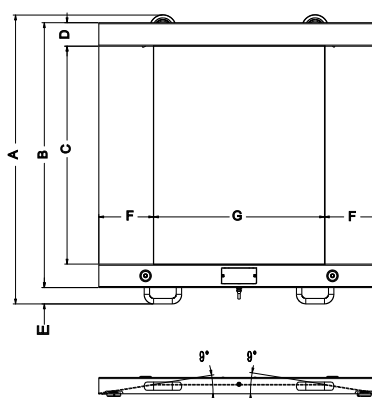
Accessories / Options

Part Number	Description	Ship Weight
810036380355	Indicator floor stand	5 kg
AWT05-504386	SST guard rail kit	5 kg

Floor Specifications

Load Cell: 4-planner beam load cells connect to the ABS junction box with 10 ft / 3 m interface cable

Product Dimension:



	in.	mm
A	45.7	1060
B	38.3	972
C	31.4	800
D	4.4	86
E	2.4	60
F	8.1	205
G	25.1	640
H	2.75	70
I	1.4	35

Portable: Fitted with two handles and wheels to easily relocate

Ramp: Designed with built-in 9 degree gradual angle to make entry and exit safe and easy

Product Weight: 103.4 lb / 47 kg

Packaging Dimension (L x W x H):
47.6" x 47.2" x 8.0" / 1210 mm x 1200 mm x 205 mm

Packaging Contents: DS1000-LCD platform, indicator, power supply with USA/US/EU plugs and indicator desk and pole mounting brackets

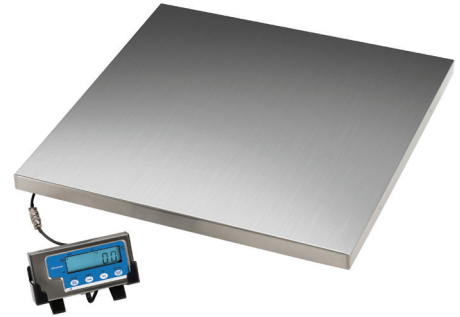
Certifications: FCC compliant, Prop 65, ETL power adapter, UKCA, CE, RoHS 3, WEEE



WS300

Features

- **Accuracy**– Within $\pm 0.2\%$
- **Capacity**– 300 kg
- **Construction**– Low profile stainless steel platform with mild steel understructure and stainless steel/ABS indicator and a rubber slip mat
- **Power**– Four AAA batteries or 9 VDC, 600mA adapter (both included)
- **Display**– Five digit 17 mm / 0.65" digits with seven segment LCD
- **Operator Keys**– On/Off/Zero, Tare, Unit, Hold/Print



Indicator Specifications

- Unit:** kg, lb, lb/oz
- Functions:** Weight hold, stable weight indicators with auto power off
- Overload Capacity:** Capable of withstanding 150% capacity of weight without damaging scale
- COMM Port:** RS-232, bi-directional, full duplex (cable not included)
- Calibration:** Front panel accessible
- Battery Life:** Battery life approximately 20 hours continuous
- Operating Temperature:** 5° C to 35° C / 41° F to 95° F
- Scale Dimension:**
165 mm x 30 mm x 81 mm / 6.5" x 1.2" x 3.2"
- Packaging Dimension (L x W x H):**
235 mm x 184 mm x 76 mm / 9.25" x 7.25" x 3"
- Certifications:** UKCA, CE, FCC compliant, Prop 65, RoHS 3, ETL power adapter, WEEE

Floor Specifications

- Platform Dimension (L x W x H):**
 WS300-50: 550 mm x 550 mm x 60 mm
 WS300-90: 900 mm x 550 mm x 60 mm
- Packaging Dimension (L x W x H):**
 WS300-50: 690 mm x 690 mm x 140 mm
 WS300-90: 1030 mm x 690 mm x 140 mm
- Options (not included) (L x W x H):**
 Floor Stand:
 350 mm x 350 mm x 25 mm / 13.8" x 13.8" x 1"
 Overall Height: 940 mm / 37"
 Weight: 4.5 kg / 10 lb
- Rubber Mat:** WS300-90 standard

Part Number	Model	Capacity	Ship Weight
816965003754	WS300-50	300 kg x 50 g	15 kg
816965003761	WS300-90	300 kg x 50 g	17 kg

Accessories / Options

Part Number	Description	Ship Weight
810036380355	Indicator floor stand	5 kg



WS300-90 shown with optional floor stand (only)

APPLICATIONS

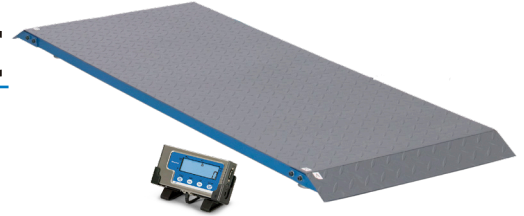
ANIMAL WEIGHING
INDUSTRIAL

SHIPPING
WAREHOUSE

PS1000 / PS2000

Features

- **Accuracy**– Within $\pm 0.1\%$
- **Capacity**–
500 kg x 0.2 kg / 1000 lb x 0.5 lb
1000 kg x 0.5 kg / 2000 lb x 1 lb
- **Construction**– Mild steel with safety tread plate surface. Stainless steel/ABS plastic indicator.
- **Power**– Four AAA batteries or 9 VDC, 600mA adapter (both included)
- **Display**– Five digit 17 mm / 0.65" digits with seven segment LCD
- **Operator Keys**– On/Off/Zero, Tare, Unit, Hold/Print



Indicator Specifications

Unit: kg, lb, lb/oz

Animal Weighing Software

Functions: Weight hold, stable weight indicators with auto power off

Overload Capacity: Capable of withstanding 150% capacity of weight without damaging scale

RS-232: Supplied complete with 10' cable (nine pin to nine pin type connector, bi-directional full duplex)

Calibration: Front panel accessible

Battery Life: Battery life approximately 20 hours continuous

Operating Temperature: 5° C to 35° C / 41° F to 95° F

Scale Dimension (L x W x H):
165 mm x 30 mm x 81 mm / 6.5" x 1.2" x 3.2"

Packaging Dimension (L x W x H):
235 mm x 184 mm x 76 mm / 9.25" x 7.25" x 3"

Certifications: UKCA, CE, CEC, FCC compliant, Prop 65, RoHS 3, ETL power adapters, WEEE

Floor Specifications

Adjustable Foot Pads: To work on uneven surfaces

Two Handles: Easily relocate

Ramped Ends

Scale Dimension (L x W x H):
PS1000: 1416 mm x 514 mm x 64 mm
55.75" x 20.25" x 2.5"

PS2000: 1498 mm x 762 mm x 64 mm
59" x 30" x 2.5"

Packaging Dimension (L x W x H):
PS1000: 1461 mm x 559 mm x 102 mm
57.5" x 22" x 4"

PS2000: 1626 mm x 914 mm x 178 mm
64" x 36" x 7"

Options (not included) (L x W x H):
Floor Stand:
350 mm x 350 mm x 25 mm / 13.8" x 13.8" x 1"
Overall Height: 940 mm / 37"
Weight: 4.5 kg / 10 lb

Part Number	Capacity	Ship Weight
816965001460	500 kg x 0.2 kg / 1000 lb x 0.5 lb	35 kg
816965003907	1000 kg x 0.5 kg / 2000 lb x 1.0 lb	56 kg

Accessories / Options

Part Number	Description	Ship Weight
810036380355	Indicator floor stand	5 kg
816965007073	PS1000 mat kit	6 kg
816965007080	PS2000 mat kit	7 kg





PS3000-LCD

Features



- **Accuracy**– Within $\pm 0.1\%$
- **Capacity**– 1500 kg x 0.5 kg / 3000 lb x 1 lb
- **Construction**– Powder coat paint for corrosion protection. Mild steel construction with safety tread plate surface with fixed rubber mat.
- **Connection**– 250 mm / 9.8" cable fixed to indicator with connector, 3 m / 9.8' interface cable with connector
- **Power**– 9V 600mA universal power supply with USA/UK/EU adapters (included) or six AA batteries (not included)
- **Display**– Six large, easy-to-read 1.5" / 38 mm high digits, large seven segment LCD with white backlight
- **Operator Keys**– On/Off/Zero, Tare, Unit, Print, Hold, Accumulate/Total

Indicator Specifications

- Unit:** kg, lb, %, PCS
- Functions:** Weighing, Animal Averaging Hold, Percentage, Check weighing, Counting, Accumulation, Print, Battery Saving
- Annunciators:** -0-, motion, gross, net, tare, hold, pcs, %, HI/OK/LOW, battery, accumulation
- Communication:** USB (VCP) or RS-232 bidirectional full duplex port. Optional COM cables.
- Print Format:** Configurable
- Operating Temperature:** -10° C to 40° C / 14° F to 104° F
- Product Dimension (L x W x H):** 135 mm x 250 mm x 165 mm / 5.25" x 9.75" x 6.5"
- Packaging Dimension (L x W x H):** 254 mm x 393 mm x 228 mm / 10" x 15.5" x 9"
- Certifications:** FCC compliant, Prop 65, ETL power adapter, UKCA, CE, RoHS 3, WEEE

Floor Specifications

- Load Cell:** Four OIML C3, waterproof-IP67, 350 Ohm shear beam load cells
- J-Box:** ABS, weatherproof IP65 housing. Top access for accurate signal trim and cornering
- Anti-Slip Rubber Mat:** Easy on animal hooves, reduce noise and risk of slipping (included)
- Platform:**
 150% overload protection
 100% end loading capacity
- Platform Dimension (L x W x H):**
 2000 mm x 1000 mm x 100 mm
 78.75" x 39.37" x 3.93"
- Platform Weight:** 120 kg / 264 lb
- Packaging Dimension (L x W x H):**
 2050 mm x 1050 mm x 180 mm
 81" x 42" x 7.1"

Part Number	Capacity	Ship Weight (platform + indicator)
810036380348	1500 kg x 0.5 kg / 3000 lb x 1 lb	275 + 2 kg

Accessories / Options

Part Number	Description	Ship Weight
810036380355	SBI 210 floor stand	5 kg



APPLICATIONS

ANIMAL WEIGHING
INDUSTRIAL

SHIPPING
WAREHOUSE

DCSB Floor Scale with SBI 240 LCD Indicator

Features



- **Accuracy**– Within 0.05%
- **Capacity**–
2500 lb x 0.5 lb / 1250 kg x 0.2 kg
5000 lb x 1 lb / 2500 kg x 0.5 kg
10,000 lb x 2 lb / 5000 kg x 1 kg
- **Construction**– Mild steel with powder coat paint finish. 0.25" / 6 mm thick top plate and heavy duty welded channel support. Die cast aluminum indicator with adjustable steel stand.
- **Power**– 9V 600mA power supply with USA/UK/EU adapters (included) and four AA batteries (not included)
- **Display**– 6½ digits 1" / 25 mm high, large seven segment LCD with white backlight
- **Operator Keys**– Setup, Print/Func, Acc/Total, Unit/ Data, Tare/ Preset, Zero/On/Off



Indicator Specifications

- Unit:** lb, oz, lb/oz, kg, g, pcs, %
- Functions:** Weighing, check weighing and accumulation
- Annunciators:** -0-, motion, gross, net, tare, total, lo-ok-hi, lb, kg, print
- Power:** 9V 600mA, 110-230V switch mode external power supply with USA/UK/EU interchangeable plug adapters
- Battery:** Four AA batteries (not included)
- Excitation Voltage:** 5 VDC up to 55mA
- Communication:** One USB (VCP) and one RS-232 bi-directional full duplex port. Optional COM cables.
- Calibration:** Front panel, multi-point
- Floor Scale Connection:** 9.8" / 250 mm cable is fixed to indicator side with quick release connector. An additional 14.76' / 4.5 m of cable is connected to the floor scale junction box.

Floor Specifications

- J-Box:** Weatherproof IP65 ABS housing with top access for ease of installation and service
- Leveling Feet:** Four top access holes for a quick installation
- Threaded Eye Bolts:** Four threaded top access eye-bolt holes for easy mobility and pit service
- Corner Protection:** Closed corners to prevent damage to leveling feet while installing the scale
- Load Cell:** Four waterproof IP67, NTEP approved, 350 Ohm ± 3.5 load cells
- Load Cell Rated Output:** 3 mV/V
- Overload Protection:** 150% of rated capacity
- Certifications:** *NTEP CC #15-084, Class III, Measurement Canada AM-6006 (indicator) and CC #02-070 (base), Prop 65, ETL power adapter, UKCA, CE, RoHS 3, WEEE
- *Not legal-for-trade in the EU/UK

Part Number	Model	Platform Size (L x W)	Capacity	Ship Weight
810036380041	DCSB3636-02	36" x 36" / 915 x 915 mm	2500 lb x 0.5 lb / 1250 kg x 0.2 kg	170 lb
810036380065	DCSB4848-10**	48" x 48" / 1220 x 1220 mm	10,000 lb x 2 lb / 5000 kg x 1 kg	315 lb
810036380089	DCSB5959-10**	59" x 59" / 1500 x 1500 mm	10,000 lb x 2 lb / 5000 kg x 1 kg	475 lb

**Calibration at 2500 kg x 0.5 kg available on request



67XXU Series

Features

- **Accuracy**– UK/EC, OIML Class III
- **Capacity**–
0-3 kg x 0.001 kg / 3-6 kg x 0.002 kg
0-6 kg x 0.002 kg / 6-15 kg x 0.005 kg
0-15 kg x 0.005 kg / 15-30 kg x 0.01 kg
- **Construction**–
6702U/6710U: Aluminium plate understructure and stainless steel platter
6720U: Heavy duty cast aluminium X shape support and stainless steel platter



- **Power**– 9 VDC, 600mA power adapter (included) or USB (VCP) cable (not included)
- **Display**– ABS plastic housing. 5½ digits seven segments 15 mm / 0.58" high LCD with blue backlight. Optional second display.
- **Operator Keys**– Hold/Print, On/Off/Zero, Unit, Tare



6710U
Shown with optional display bracket

Specifications

Easy-to-Install and Operate: Makes all cable connections easy and interfaces to most ECR and POS systems in a few simple steps

Unit of Measure: kg, g, lb/oz, pcs

"Touchless" Tare: This unique feature enhances food handling safety

Check Weighing: OK annunciator with alarm

Count Weighing: Piece counting

Hold: Positive peak, negative peak, average hold and auto hold

Auto Zero Tracking: Zero light indicator and manual control when out of range

Zero Range: Selectable up to full scale

Alternate Calibration Points: Allows use of less than full capacity weight for calibration

Auto-Compensation: Allows local gravity adjustments to avoid initial calibration with test weights

Adjustable Filter Settings: Reduce environmental vibration noise for superior precision and rapid measurements

Communication: USB (VCP) and RS-232 port

Protocols: NCI, ECR, 8213 (Sharp), EH (PS60), configurable print format

Remote Display Enclosure Dimension (L x W x H):
6702/6710: 62 mm x 148 mm x 29 mm
2.4" x 5.8" x 1.1"

Adjustable Height Dimension:
6702/6710: 69 mm - 82 mm / 2.75" - 3.25"
6720: 88 mm - 101 mm / 3.5" - 4"

Certifications: EC approved for sale in the UK: TEC UK 3035, FCC compliant, Prop 65, UL/CUL power adapter, UKCA, CE, RoHS 3, WEEE

*Counting function non-trade approved



6702U
Shown with optional tower



6720U
Shown with optional external remote display



Model	Part Number	OIML	Platter Size	Capacity	Ship Weight
6702U	810036380294	Verifiable	152 mm x 254 mm 6" x 10"	0-3 kg x 0.001 kg / 3-6 kg x 0.002 kg (external display)	4 kg
6710U	810036380300	Verifiable	254 mm x 254 mm 10" x 10"	0-3 kg x 0.001 kg / 3-6 kg x 0.002 kg (external display)	5 kg
6710U	810036380317			0-6 kg x 0.002 kg / 6-15 kg x 0.005 kg (external display)	5 kg
6720U	810036380324	Verifiable	305 mm x 355 mm 12" x 14"	0-15 kg x 0.005 kg / 15-30 kg x 0.01 kg (internal display)	6 kg
6702U	AWT05-100432	Approved	152 mm x 254 mm 6" x 10"	0-3 kg x 0.01 kg / 3-6 kg x 0.002 kg (external display)	4 kg
6710U	AWT05-100433	Approved	254 mm x 254 mm 10" x 10"	0-3 kg x 0.001 kg / 3-6 kg x 0.002 kg (external display)	5 kg
6710U	AWT05-100434	Approved		0-6 kg x 0.002 kg / 6-15 kg x 0.005 kg (external display)	5 kg
6720U	AWT05-100435	Approved	305 mm x 355 mm 12" x 14"	0-15 kg x 0.005 kg / 15-30 kg x 0.01 kg (internal display)	6 kg

Accessories / Options

Part Number	Description	Ship Weight
816965005918	305 mm / 12" display post (6702U)	0.4 kg
816965005925	Display bracket to scale base (6710U)	0.12 kg
1140-13842	3 m / 10' RS-232 interface cable (9-pin M/F pass through) (67XXU)	0.18 kg
AWT05-507974	1.8 m / 6' USB A cable (67XXU)	0.04 kg
816965006885	Remote display with cable 610 mm / 24" (67XXU)	0.22 kg
816965006892	Remote display with extension cable 2 m / 7' (67XXU)	0.18 kg
816965006908	Remote display kit with 305 mm / 12" post and 2 m / 7' cable (67XXU)	0.7 kg
816965005956	2 m / 7' remote display extension cable (67XXU)	0.18 kg

Model	Packaging Dimension (L x W x H)
6702U	393 mm x 368 mm x 139 mm 15.5" x 14.5" x 5.5"
6710U	469 mm x 393 mm x 139 mm 18.5" x 15.5" x 5.5"
6720U	505 mm x 465 mm x 145 mm 20" x 18" x 6"

Model	Scale Dimension (L x W x H)	Remote Display Dimension (L x W x H)
6702U	164 mm x 300 mm x 80 mm 6.4" x 11.8" x 3.1"	148.1 mm x 61.8 mm x 29 mm 5.8" x 2.4" x 1.1"
6710U	266 mm x 330 mm x 80 mm 10.4" x 12.9" x 3.1"	148.1 mm x 61.8 mm x 29 mm 5.8" x 2.4" x 1.1"
6720U	305 mm x 355 mm x 88 mm 12.0" x 13.9" x 3.4"	Optional



6030

Features

- **Accuracy**– Within $\pm 0.06\%$
- **Capacity**– 5000 g x 1 g / 10 lb x 0.002 lb / 10 lb x 0.05 oz / 160 oz x 0.05 oz
- **Construction**– Food grade stainless steel upper cover and removable stainless steel platter for easy cleaning
- **Power**– 9 volt alkaline battery (included)
- **Display**– 20 mm / 0.8" LCD with five digits
- **Operator Keys**– On/Off, Tare, Unit

UK CA CE IP67



Specifications

Unit: g, lb, oz, lb/oz

Waterproof

Low Battery/Overload Indication

Power Saving with Auto Off Feature

Operating Temperature: 5° C to 35° C / 41° F to 95° F

Scale Dimension (L x W x H):
170 mm x 160 mm x 40 mm / 6.6" x 5.9" x 0.1"

Platform Dimension (L x W):
120 mm x 150 mm / 4.7" x 5.9"

Product Weight: 0.6 kg / 1.5 lb

Packaging Dimension (L x W x H):
254 mm x 196 mm x 76 mm / 10" x 7.75" x 3"

Certifications: UKCA, CE, FCC compliant, IP67, NSF, Prop 65, RoHS 3, WEEE

Part Number	Capacity	Ship Weight
816965006557	5000 g x 1 g / 10 lb x 0.002 lb	1 kg



APPLICATIONS

GENERAL PURPOSE

MAIL ROOM

Postal / Shipping

311

Features



- **Accuracy**– Within $\pm 0.1\%$
- **Capacity**– 5000 g x 1 g / 11 lb x 0.1 oz
- **Construction**– ABS plastic injection molded case and platter
- **Power**– Four AA batteries (included)
- **Display**– 15 mm / 0.6" high digits LCD
- **Operator Keys**– On/Tare, Off, Unit



Postal / Shipping

Specifications

Unit: kg/g, lb/oz

Operating Temperature: 0° C to 40° C / 32° F to 104° F

Scale Dimension (L x W x H): 495 mm x 171 mm x 38 mm / 19.5" x 6.75" x 1.5"

Platform Dimension: 149 mm / 5.875" diameter

Packaging Dimension (L x W x H): 274 mm x 204 mm x 58 mm / 10.75" x 8" x 2.25"

Certifications: UKCA, CE, FCC compliant, Prop 65, RoHS 3, WEEE

Part Number	Capacity	Ship Weight
816965001316	5000 g x 1 g / 11 lb x 0.1 oz	1 kg





PS Slimline Series

Features



- **Accuracy**– Within $\pm 0.25\%$
- **Capacity**–
70 kg x 0.05 kg / 150 lb x 0.1 lb
180 kg x 0.1 kg / 400 lb x 0.2 lb
- **Construction**– Robust, hard-wearing ribbed die cast base with ABS plastic indicator
- **Power**– Four AA batteries (not included) or external UK AC adapter (included)
- **Display**– Easy-to read 1.2" / 30 mm high LCD
- **Operator Keys**– Tare, On/Off, Unit



Specifications

Unit: kg, lb, lb/oz

Display: Wall or desk mounted

Display Cable: Coil style

Function Keys: Three simple-to-operate keys: on/off, tare/zero, units

Features: General weighing in kg, lb, or lb/oz with autopower off if not used for five minutes

Battery Life: Up to 168 hours

Platform Dimension (L x W):

300 mm x 300 mm x 25 mm / 11.8" x 11.8" x 1"

Product Weight: 1.5 kg / 3.5 lb

Packaging Dimension (L x W x H):

490 mm x 332 mm x 49 mm / 19.3" x 13.1" x 1.9"

Certifications: UKCA, CE, FCC compliant, Prop 65, UL/CUL power adapter, RoHS 3, WEEE

Part Number	Capacity	Ship Weight
816965007516	70 kg x 0.05 kg / 150 lb x 0.1 lb	2.3 kg
816965007530	180 kg x 0.1 kg / 400 lb x 0.2 lb	2.4 kg



APPLICATIONS

LIGHT INDUSTRIAL
MAIL ROOM

WAREHOUSE

Postal / Shipping

GP100 USB / GP250 USB

Features



- **Accuracy**– Within $\pm 0.7\%$
- **Capacity**–
45 x 0.1 kg / 100 x 0.2 lb
110 x 0.2 kg / 250 x 0.5 lb
- **Construction**– 22 gauge steel with ribbed base
- **Power**– One 9 volt battery (included), AC adapter or USB cable (not included)
- **Display**– Four large 25 mm / 1" H digits, backlit LCD
- **Operator Keys**– Zero, Tare, Unit



Postal / Shipping

Specifications

Unit: kg, lb

Communication: USB virtual COM port (cable not included)

Discrete Switch Keyboard Technology: Unique key button design to ensure reliability and longevity

Electro-Mechanical Design: Ensures greater accuracy even at higher weight capacities

Keyboard Functions:

HOLD: Freezes weight on the display only when a weight of three lbs or more is placed on the scale

TARE: Removes weight of empty container or item placed on the scale to obtain a net weight

UNITS: Scrolls between kilograms and pounds
Turns scale on or off and returns scale to zero weight

Indicator Displayed Messages:

L0: Battery is weak. After five minutes scale will turn off.

Auto Zero Tracking: Includes AZT (Auto Zero Tracking) at 0.5 or manual push button to re-establish zero reference when displayed weight is less than 2% of capacity

Overload Capacity: Capable of withstanding 200 kg or 400 lb of weight without damaging the scale

Auto Shutdown: To conserve battery life the display will shutdown after two minutes of non-use. Can be configured via the keypad for Off, two or four minutes.

Operating Temperature: 5° C to 40° C / 42° F to 104° F

Scale Dimension (L x W x H):

278 mm x 318 mm x 56 mm / 10.95" x 12.50" x 2.20"

Product Weight: 3 kg / 6 lb

Packaging Dimension (L x W x H):

339 mm x 318 mm x 76 mm / 13.35" x 13.5" x 3"

Certifications: UKCA, CE, FCC compliant, Prop 65, RoHS 3, WEEE

Part Number	Capacity	Ship Weight
816965006755	45 kg x 0.1 kg / 100 lb x 0.2 lb	3.6 kg
816965006731	110 kg x 0.2 kg / 250 lb x 0.5 lb	3.6 kg



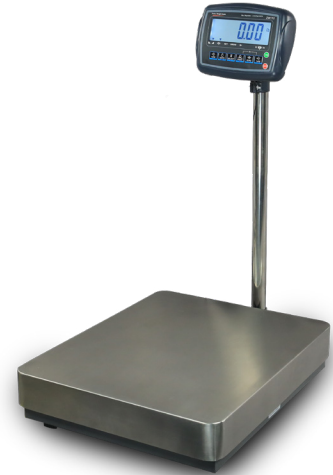


ZM110 + BSL Base

Features



- **Capacity– Unapproved**
400 mm x 400 mm base
60 kg x 0.01 kg / 132 lb x 0.02 lb
400 mm x 500 mm base
150 kg x 0.02 kg / 330 lb x 0.05 lb
400 mm x 500 mm base
300 kg x 0.05 kg / 660 lb x 0.1 lb
500 mm x 600 mm base
300 kg x 0.05 kg / 660 lb x 0.1 lb
- **Approved**
400 mm x 400 mm base
60 kg x 0.02 kg
400 mm x 500 mm base
150kg x 0.05 kg
400 mm x 500 mm base
300kg x 0.1 kg
- **Construction–** Mild steel tubular fabricated frame base and ABS indicator
- **Power–** Supplied with a switching power adapter with interchangeable plug ends to cover UK, EU and Australian plug requirements.
- **Display–** Large, easy-to-read 50 mm x 165 mm LCD backlit display with 40 mm high digits
- **Operator Keys–** Tare, Unit, Select, Print, Zero, Tare



Specifications

Accuracy: 6000d unapproved, but EC & OIML approved up to 3000d; 3000d EC approved E2 stamped

Unit: kg, lb

Main Functionality: General weighing, check weighing, and check counting with audio under, accept and over buzzer

Display: Large 50 mm x 165 mm / 2" x 6.5" LCD display with five 1.6" / 40 mm high digits and blue backlit display

Operator Keys: Units, Select, Print, Zero, Tare

Power: Removable AC power adapter (included) along with a built-in, rechargeable lead acid battery to give over 107 hours of battery life between charges

Operating Temperature: -10° C to 40° C / 14° F to 104° F

Pole Dimension: 650 mm / 25.5" high

Packaging Dimension (L x W x H):

Capacity	Dimension (cm)	Dimension (in)
100 lb / 45 kg	76.5 x 52.5 x 16.5	31.3 x 20.7 x 6.5
250 lb / 113 kg	89.5 x 52.5 x 16.5	35.2 x 20.7 x 6.5
600 lb / 272 kg	98.5 x 62.5 x 18.5	38.7 x 24.6 x 7.2

Certifications: OIML Class III 4, 200d, TEC: 0200-NAWI-05920 OIML CoC for ZM110: R76/2006-A-DK2-19.01, CE, IP67, RoHS 3, WEEE

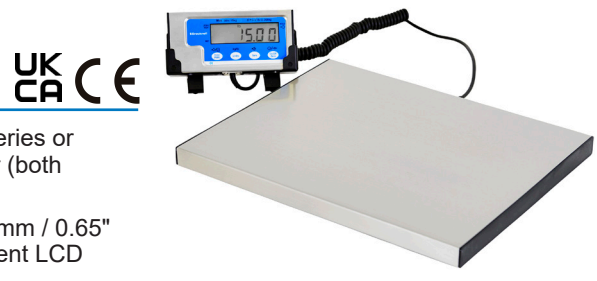
Part Number	OIML Approved	Dimension (mm)	Capacity	Ship Weight
810036380607	Unapproved	400 x 400	60 kg x 0.1 kg	13.0 kg
810036380614	Unapproved	400 x 500	150 kg x 0.02 kg	14.5 kg
810036380621	Unapproved	400 x 500	300 kg x 0.05 kg	14.5 kg
810036380638	Unapproved	500 x 600	300 kg x 0.05 kg	26.5 kg
AWT05-055669	Approved	400 x 400	60 kg x 0.02 kg	13.0 kg
AWT05-055670	Approved	400 x 500	150 kg x 0.05 kg	14.5 kg
AWT05-055671	Approved	400 x 500	300 kg x 0.1 kg	14.5 kg
AWT05-055672	Approved	500 x 600	300 kg x 0.1 kg	26.5 kg

APPLICATIONS
LIGHT INDUSTRIAL FOOD SERVICE **SHIPPING WAREHOUSE**

Postal / Shipping

WS Series
Features

- **Accuracy**– Within $\pm 0.1\%$
- **Capacity**–
 15 kg x 0.005 kg / 30 lb x 0.01 lb
 60 kg x 0.02 kg / 150 lb x 0.05 lb
 120 kg x 0.1 kg / 400 lb x 0.2 lb
- **Construction**– Low profile stainless steel platform with mild steel understructure, stainless steel/ABS indicator with wall bracket and desk mount included
- **Power**– Four AAA batteries or 9 VDC, 600mA adapter (both included)
- **Display**– Five digit 17 mm / 0.65" digits with seven segment LCD
- **Operator Keys**– On/Off/Zero, Tare, Unit, Hold/Print



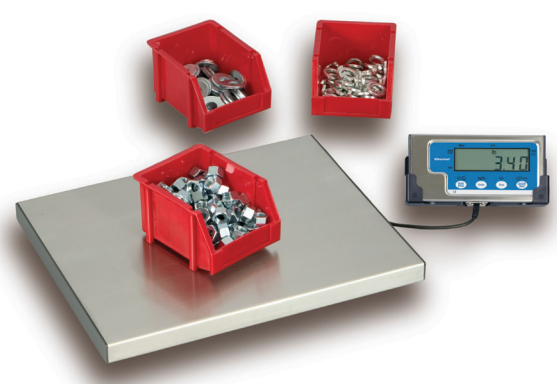
Postal / Shipping

Specifications

Unit: kg, lb, lb/oz
Battery Life: 20 hours
Operating Temperature: 5° C to 35° C / 41° F to 95° F
Platform Dimension (L x W x H):
 380 mm x 305 mm x 27 mm / 15" x 12" x 1"

Indicator Dimension (L x W x H):
 165 mm x 30 mm x 81 mm / 6.5" x 1.2" x 3.2"
Product Weight: 4 kg / 9 lb
Packaging Dimension (L x W x H):
 500 mm x 450 mm x 80 mm / 20" x 18" x 3"
Certifications: UKCA, CE, RoHS 3, WEEE

Part Number	Capacity	Ship Weight
816965002238	15 kg x 0.005 kg / 30 lb x 0.01 lb	6 kg
810036380584	60 kg x 0.02 kg / 150 lb x 0.05 lb	6 kg
810036380591	120 kg x 0.1 kg / 400 lb x 0.2 lb	6 kg





Brecknell UK

Foundry Lane
Smethwick, West Midlands
England B66 2LP

Telephone: + 44 (0) 845 246 6717
Fax: + 44 (0) 845 246 6718

Email: sales@brecknellscales.co.uk
www.brecknellscales.co.uk