

Brecknell

MS1000-LCD

Wheelchair Scale



MS1000-LCD Wheelchair Scale is ideal for any busy medical centers where the patient's weight needs to be regularly taken and monitored.

This low profile, robust, easy-to-clean patient & wheelchair platform has been specially designed to remain low to the ground with a gradual 9% entry and exit ramp. Provides a safe and easy way to push patients in wheelchairs on and off the scale.

Also, fitted with a fixed stainless steel handrail to help support any unbalanced patient. The weight indicator is easily viewable by both patient and consultant.

This weight indicator comes with a large, easy-to-read LCD backlit display. Ideal for viewing in all lighting conditions.



Accuracy
Within 0.1%



Capacity
1000 lb x 0.5 lb / 500 kg x 0.2 kg



Power
9V 600mA power supply with US power adapter (included) or six AA batteries (not included)



Display
Six large, easy-to-read 1.5" / 38 mm high digits, large seven segment LCD with white backlight



Construction
Powder coated rugged smooth steel deck structure and built-in ramps, fitted with two handles and wheels for relocating the scale. Robust ABS plastic indicator with bench or pole brackets for mounting.



Operator Keys
On/Off/Zero, Tare, Unit, Print, Hold, BMI

VALUE IN
WEIGHING

MS1000-LCD Wheelchair Scale

SBI 210 Indicator Specifications

Construction: Robust ABS housing

Scales Functionality: This scale is designed to be easy and simple to use

Units: lb, kg

Tare: 100% subtractive

BMI: Calculates the Body Mass Index (BMI)

Hold: Used to freeze a displayed weight value once the patient step off the scale

Indicator Mounting: Can be desk mounted or pole mounted either vertically or horizontally

Display: Large, easy-to-read six digit 1.5" / 38 mm high digit LCD with backlight

Annunciators: -0-, motion, gross, net, tare, hold, BMI, battery, print

Built-in Power Saving Features: Subject to how the scale is to be used, there are a number of ways to prolong the battery life of this scale. From turning off the backlight to setting the auto off to engage when the scale is not in use.

Communication: One USB (VCP) and one RS-232 bi-directional full duplex port

Print Format: Configurable

Calibration: Front panel calibration

Operating Temperature:
14° F to 104° F / -10° C to 40° C

Certifications: FCC compliance, ETL power adapter, Prop 65

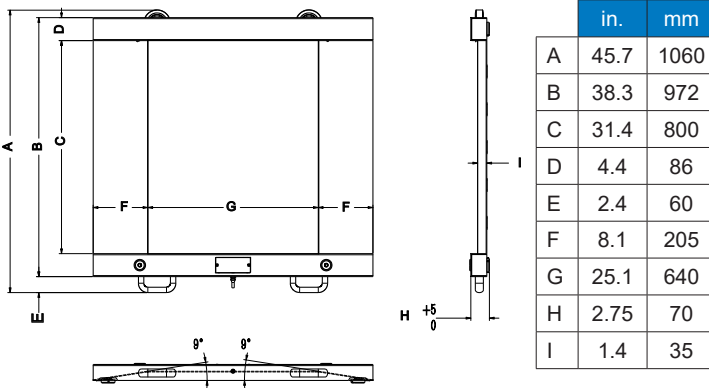
Warranty: 3-year limited

MS1000-LCD Floor Specifications

Construction: Mild steel base construction power coated white with a stainless steel handrail and side wheels for scale portability and relocation

Ramp: Designed with built-in 9 degree gradual angle to make entry and exit safe and easy

Product Dimension:



Load Cells: 4-planner beam load cells connect to the ABS junction box with 10 ft / 3 m interface cable.

Ramp: Designed with built-in 9 degree gradual angle to make entry and exit safe and easy

Guard Rail Dimension (L x W):
33.85" x 27.6" / 860 mm x 700 mm

Product Weight: 100 lb / 45 kg

Packaging Dimension (L x W x H):
48" x 47.2" x 8.1"
1220 mm x 1200 mm x 205 mm

Shipping Weight: 110 lb / 50 kg

Packaging Contents: MS1000-LCD platform, guard/handrail, indicator, power supply with US plug and indicator mounting brackets

Options: Indicator floor stand, RS-232, USB cables

Warranty: 3-year limited



www.brecknellscales.com

www.brecknellscales.co.uk